

1 One-Piece Header runs full width. It is designed to shed water and snow without caulking.

2 Twin Handles make opening both sides easier, permit doors to be padlocked with one lock for exterior security. Twin handles made of high strength U-V rated polypropelene are attractive, ergonomic and make opening both sides easier.

3 Automatic Hold Open Safety Catch keeps doors open securely until you release them. Quick lift releases doors for gentle closing.

4 Internal Locking Device for security opens easily yet is tamper proof. Exterior keyed lock available.

5 Torsion Springs make doors easy to lift and close.

6 Field Proven Flange Design sheds rain water and snow just like flashing. Easier access to mounting holes makes installation faster and simpler.

7 Recessed Water Channel assures proper drainage, avoids raised ridge in middle of door.

8 Galvanized Steel Sills hot-dipped for long

life with no maintenance. Adjustable design fits most applications easily.

9 Stainless Steel Hinges prevent rusting or binding. Are machined, then welded out of the way to provide unobstructed access.

Alkyd Resin Primer is uniformly applied by totally dipping doors and then baking which helps assure a smooth, long lasting final coat and weather protection.

Extensions needed for longer openings are available when required. The design maintains configuration of basic door. Seams overlap for weather tightness.

Heavy Duty Sheet Steel (.090 - .105 thick) is hot rolled for extra strength and durability.

One-Man Installation saves time and money.

Complete Assembly and Installation Instructions including all necessary hardware are packaged with each door.

Overall Design is trim, contemporary, attractive.

all-steel basement doors

RELIABILITY

The Gordon Corporation has been developing, manufacturing, and marketing all-steel basement doors for over 40 years. Our top-quality products are designed with thoughtful, proven features that provide long-term satisfaction for homeowners and avoid call-backs by installers.

REPUTATION

Gordon basement doors are in use in most states, are accepted on state and federal projects, and meet standard building code requirements. In fact, there's a good chance a Gordon basement door is on your own home, or in the project you're working on now.

VALUE

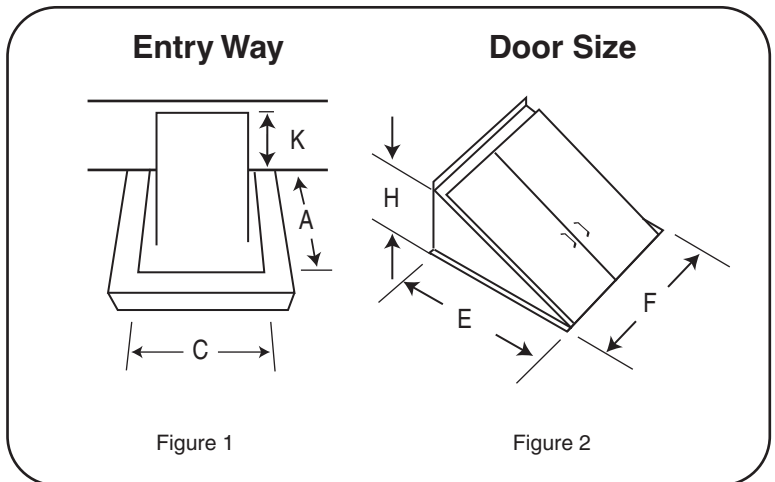
Gordon all-steel basement doors are more durable – and more economical – than wooden doors. They're available in a wide range of sizes, and fit most precast or field-constructed entryways.

SECURITY

Gordon doors provide enhanced safety. Our tamper-proof locking mechanism means better internal security. The Cellalock - a keyed exterior lock is available for those needing secure exterior access.

Recommended Specifications

Access to basement shall be via all-steel basement door as manufactured by **The Gordon Corporation** and available at building supply dealers. Recommended size is _____" x _____" (Model No. _____ with extension kit CX _____ if required) and shall be constructed of .090-.100 thickness steel, dip-coated with alkyd resin primer, complete with all hardware and instructions for installation according to manufacturer specifications. After installation, promptly apply external alkyd enamel paint for weather protection.



Entry Way Dimensions In Inches**		Gordon Door Size In Inches			Model
Length (A)	Width (C)	Length (E)	Width (F)	Height (H)*	
39 1/2	44	42 1/2	49	51	CD-SL
51	40	54	45	30	CD-0
54	40	57	45	24 1/2	CD-1
60	44	63	49	22	CD-2
68	48	71	53	19 1/2	CD-3
74	48	77	53	21	CD-3 with CX-6
80	48	83	53	21	CD-3 with CX-12
86	48	89	53	21	CD-3 with CX-18
92	48	95	53	21	CD-3 with CX-24
98	48	101	53	21	CD-3 with CX-30

* Height of door (H) must be greater than the distance from the top of foundation to top of basement door opening (K) (see Figure 1).

** Thickness of wall should conform to local building codes. A wall thickness of less than 6" is not recommended for ideal door installation.



Step 1
Remove old door.



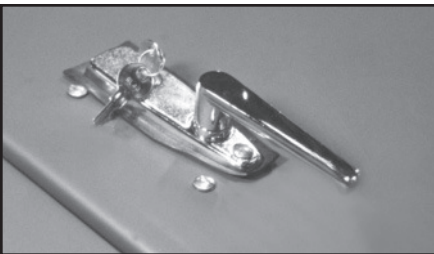
Step 2
Prepare foundation. Smooth surface with mortar or foundation plates. (optional)



Step 3
Place assembled frame on foundation. Square & attach.

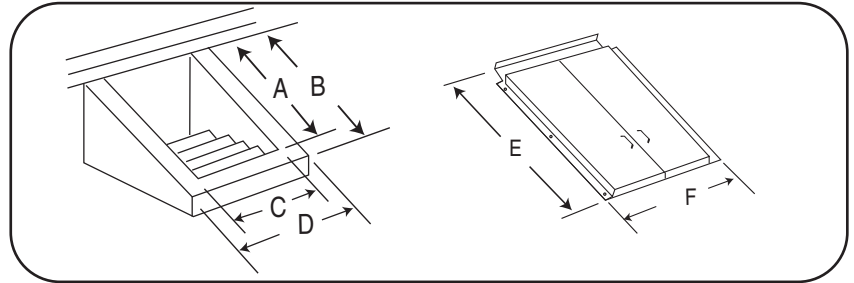


Step 4
Caulk around frame. Paint promptly with Alkyd Enamel.



- Now you can have the convenience and added security of keyed access with your Gordon Steel Basement door.
- The Gordon Cellalock can be used with all sizes and models of Gordon Celladoors including all past manufactured doors.
- You can access the basement from outside by using the key or exit from the inside by flicking the lock switch.
- The shipping carton comes with complete installation instructions including a list of tools required and a template for positioning.
- Consult your local dealers for pricing and availability.

Looking For A Replacement Door?



How To Select A Door Without Metal Sides

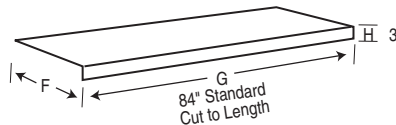
1. Measure dimensions A, B, C and D.
2. Select length at least 2" longer than "A" and no longer than "B".
3. Select width at least 4" wider than "C" and no wider than "D".

We have the most complete replacement door system in the U.S. When remodeling or rehabilitating, it makes sense to replace wooden basement doors. Our replacement doors offer the same features and advantages as our new doors, but are shipped with side rails instead of sides. Sidewalls (concrete, brick, fieldstone, or cinderblock) already exist, so new units install easily. Our flat RD Door adapts to most existing sidewalls. If necessary, foundation plates can be used to modify an entryway.

Model	Width (F)	Standard Length (E)	Length With 6" Extension	Length With 12" Extension	Length With 18" Extension
RD-0	44 1/2"	48"	53" - 55"	59" - 61"	NA
RD-1	44 1/2"	62"	67" - 69"	73" - 75"	NA
RD-2	48 1/2"	66 1/2"	71" - 73"	77" - 79"	NA
RD-3	52 1/2"	73 1/2"	78" - 80"	84" - 86"	90" - 92"

Extension headers are not included – order separately. Outside frame dimensions.

Foundation Plates



Foundation plates are angle irons used to modify non standard size foundations to allow use of standard size doors. Also, they may be used to cap irregular surface such as stone or rough concrete, eliminating the need to set forms and pour a new concrete cap.

Dimensions		
H	F	G
3"	5"	7'
3"	8"	7'
3"	11"	7'
3"	14"	7'

"H" dimension is always 3".
"G" dimension is standard 7' long. Length is cut to size in field with a circular or reciprocating saw and a metal cutting blade.
Longer lengths available—special order.
Note: Available in one inch increments
3" x 3" x 7', 3" x 4" x 7'...3" x 20" x 7'...

**Insist on, Invest in,
or Install a
Gordon Basement Door.**