

RC-1 Pro™ Resilient Channel

Single leg resilient channel

Made of 25 gauge steel (RC-1 Pro) is one of the most effective, low-cost methods of improving sound transmission loss through wood and steel frame partitions. It is used as a cross-furring member for resilient attachment of gypsum. Knurled face makes wallboard application easier.

Resilient channel should be installed perpendicular to the framing members with the attachment flange of the RC-1 Pro installed along the bottom edge. Channel is pre-punched for screw attachments to wood or steel framing members. Nails are not recommended for attaching RC-1 Pro resilient channel to framing members.

Product Data & Ordering Information:

Material: All Material: Grade 33ksi min. yield strength, G40
18mils: 25 Gauge, 0.0188" Design Thickness
0.0179" Min. Thickness

Dimensions: 2" x 1/2" deep
Stock Lengths: 12'-0" long
Packaging: (10) pieces per bundle
Packaging weight: 20 lbs./bundle or 162 lbs./1000 ft.

ASTM & Code Standards:

- Resilient channel is produced to meet or exceed ASTM C645
- Galvanized sheet steel meets or exceeds requirements of ASTM A924 & A1003
- For installation & storage information refer to ASTM C754
- MSDS & Product Certification Information available at www.clarkdietrich.com

RC-1 Pro STC Sound Assemblies

Contact ClarkDietrich Technical Services at 888-437-3244 for STC values on this system.

Related Accessories:

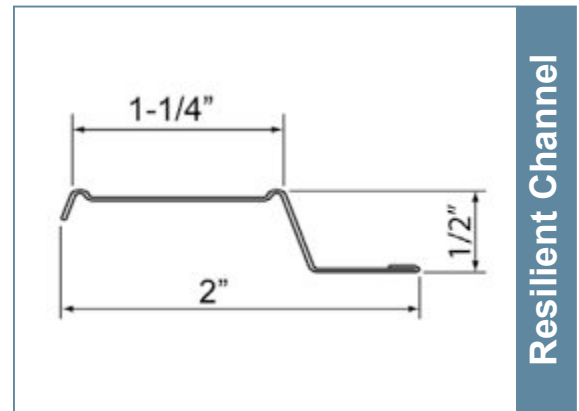
- RC-2 Pro™ double leg resilient channel

GREEN Benefits and Recycled Content:

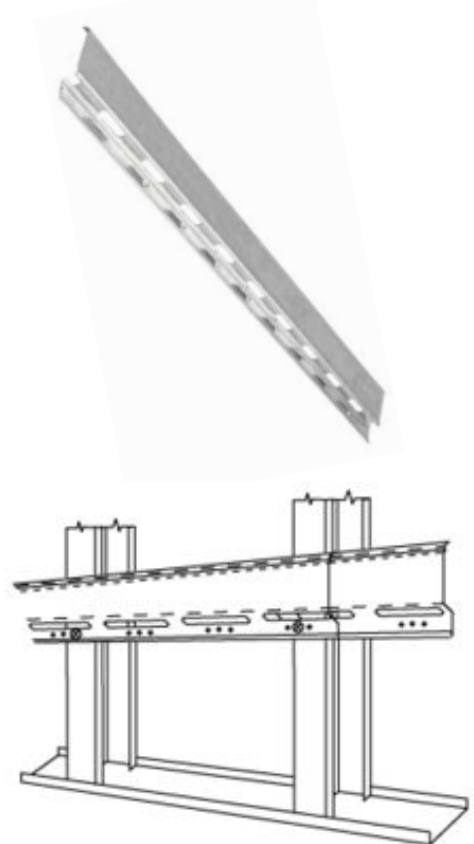
LEED Credit MR 2 - ClarkDietrich products are manufactured from cold-formed steel. Steel is 100% recyclable, which helps divert debris from the waste stream. The contribution to LEED must be calculated by the contractor based on weight or volume.

LEED Credit MR 4 - ClarkDietrich's steel products have a minimum recycled content of 34.9%, of which 24.3% is post-consumer, and 9.4% is pre-consumer. To report a higher number for your project or seek Credit MR 5, contact Technical Services at 888-437-3244 or visit www.clarkdietrich.com.

09.22.16 (Non-Structural Metal Framing)



- Reduces sound transmissions
- Pre-punched for screws



Project Information

Name: cavobuilderssupplies.com
Address:

Contractor Information

Name:
Contact:
Phone:
Fax:

Architect Information

Name:
Contact:
Phone:
Fax: