

ALL ABOUT EASE

Enhancing the charm of a home is easier than you dreamed with GP Vinyl Soffit. It adds a beautiful finishing touch, and stays attractive with little care. GP Vinyl Soffit is ideal for exterior overhead applications, no matter what siding the home features.

A Simply Beautiful Choice

- **Attractive.** Three styles, popular colors.
- **Durable.** Stands up to weather, resists dents and damage. Won't attract termites.
- **Versatile.** Use with brick, wood, vinyl or fiber cement siding.
- **Simple to maintain.** Occasionally clean with damp cloth.
- **Limited Lifetime Transferable Warranty*.** Adds peace-of-mind.



Why Pros Choose Vinyl Soffit

- Interlocking components – a snap to install
- No special tools required
- Available in solid and ventilated styles
- Choose smooth or woodgrain finish
- Versatile enough for porch ceilings, overhangs, carports & covered decks

*Georgia-Pacific does not manufacture, distribute or warrant the products described in this brochure. See manufacturer's warranty for terms, conditions, and limitations. To receive a copy of the manufacturer's warranty, call 1-888-502-BLUE.

D/5, T/4 & Beaded Vinyl Soffit

	GP Spec.	ASTM Standard
Tensile Strength (psi)	6300	5800 min.
Deflection temp (F) @264 psi	165	158 min.
Modulus of elasticity	368,000	319,000 min.
Izod impact at 32° F (ft/lb/iin)	1.9	0.65 min.
Izod impact at 74° F (ft/lb/iin)	3.6	2.4 min.
Hardness (Durometer Shore D)	82	N/A
Coefficient of linear expansion (in/in/°F)	3.2 x 10(-5)	4.5 x 10(-5)
Chemical resistance	Excellent	N/A
Flame Spread Index	20	25.0 max.
Smoke density developed	275	N/A

A SIMPLIFIED LIFESTYLE

Georgia-Pacific brand vinyl siding, soffit, accessories and skirting provide beautiful, low maintenance solutions for today's homeowner. For installation instructions or planning tips, look for vinyl siding on www.bluelinxco.com.

Distributed by



www.bluelinxco.com

BlueLinX Corporation
 4300 Wildwood Parkway
 Atlanta, Georgia 30339
 1-888-502-BLUE
 1-800-839-2588 (Eastern Sales Region)
 1-800-830-7370 (Western Sales Region)

GEORGIA-PACIFIC, GP, and the GEORGIA-PACIFIC logo are owned by or licensed to Georgia-Pacific Wood Products LLC. BLUELINX and the BLUELINX design are trademarks and registered service marks of BlueLinX Services Inc.

©2009 BLUELINX Corporation. All rights reserved.
 4101090701101 ERM/PRODUCTION HOUSE/11.08/xxk



VINYL SOFFIT




SIMPLY BEAUTIFUL

COMPLEMENT TODAY'S HOMES

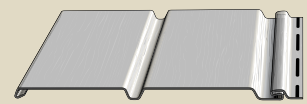
SIMPLE ANSWERS TO SMART QUESTIONS ABOUT GP VINYL SOFFIT

D/5 Soffit and Vertical Siding

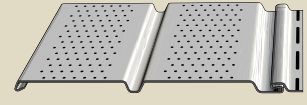


- Available in 13 attractive colors, plus 6 premium colors
- .044" thickness
- Colors match GP vinyl siding

Note: .040" available in white only




Double 5" solid soffit, woodgrain finish. Also perfect for vertical siding applications, including carports and garages.**

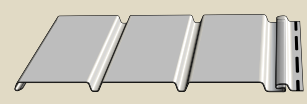


Double 5" perforated soffit, woodgrain finish.

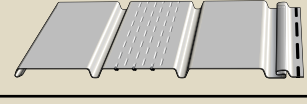
T/4 Soffit



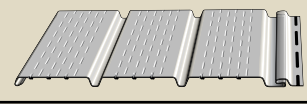
- 12 attractive colors to match GP vinyl siding, plus Musket Brown
- .035" thickness



Triple 4" solid soffit, pebble finish.




Triple 4" center vent basketweave soffit, pebble finish.




Triple 4" full vent basketweave soffit, pebble finish.


Beaded Soffit



- Available in White
- .040" thickness



Beaded solid soffit with 7" exposure, pebble finish.



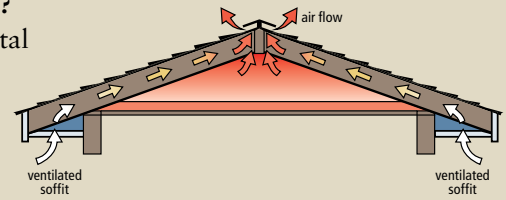
Beaded hidden vent soffit with 7" exposure, pebble finish.

Color Chart	D/5 Soffit	T/4 Soffit	Beaded Soffit
Almond	■	■	
Beige	■	■	
Blue	■	■	
Clay	■	■	
Cream	■	■	
Flint	■	■	
Gray	■	■	
Mist	■	■	
Olive	■	■	
Pearl	■	■	
Tan	■	■	
Thistle	■		
White	■	■	■
Musket Brown		■	
Premium Colors:			
Briarwood	■		
Cobblestone	■		
* Hampton Red	■		
Pewter	■		
Sagebrook	■		
Wedgewood	■		

Due to printing limitations color representations may not be exact.

* Hampton Red approved for Soffit use only

- Q. What type of houses can vinyl soffit be used on?**
 A. Vinyl soffit can be used on practically any type of home, including homes with brick as well as wood, vinyl or fiber cement siding.
- Q. Some homes have hard-to-reach areas under the eaves of the house. What type of maintenance is required for the soffit?**
 A. Vinyl soffit is a virtually maintenance-free solution. An occasional washing with a garden hose keeps it looking like new.
- Q. Why do some soffit designs have vents?**
 A. Any building code-conforming structure must have an attic ventilation system that may include a combination of soffit vents, for air intake, in conjunction with roof, gable or ridge vents, for air exhaust. Building codes typically require a minimum net free ventilation area of one (1) square foot for every 150 square feet of attic floor space. Check your local building code for specific attic ventilation requirements in your area.
- Q. What is the "Net Free Area"?**
 A. Net free area (NFA) is the total unobstructed area where air can enter the ventilation system. In other words, the total amount of open area expressed in square inches.



- Q. What is the Net Free Area for Georgia-Pacific soffits?**
 A. GP soffits are offered in a range of NFA ratings, depending upon the ventilation and aesthetic requirements for a specific application:
- Double 5" perforated soffits have a 6.20 sq. inches/square ft. rating
 - Triple 4" basketweave full cent has a 14.34 sq. inches/square ft. rating
 - Triple 4" center vent has a 4.78 sq. inches/square ft. rating
 - Beaded hidden cent soffit has 2.66 sq. inches/square ft. rating
- Q. How do I select the "right" vented soffit?**
 A. Your choice depends on the aesthetic requirements of the application, the roof ventilation and other sources of air flow.

** Hampton Red is not suitable for vertical applications.