

**Product category:** 1-1/2" Furring / Hat Channel  
**Product name:** **150F125-18 (33ksi, G40)**  
18mils (25gauge) Finish: G40

**Geometric Properties**

Depth	0.875 in	Design thickness	0.0188 in
Width	1.250 in	Min. steel thickness	0.0179 in
Yield stress, Fy	33 ksi	Ultimate, Fu	45 ksi

**Gross Section Properties of Full Section, Strong Axis**

Cross sectional area (A)	0.094 in <sup>2</sup>
Member weight per foot of length	0.320 lb/ft
Moment of inertia (Ix)	0.031 in <sup>4</sup>
Radius of gyration (Rx)	0.574 in
Gross moment of inertia (Iy)	0.0539 in <sup>4</sup>
Gross radius of gyration (Ry)	0.758 in

**Effective Section Properties, Strong Axis**

Moment of inertia for deflection (Ix)	0.0298 in <sup>4</sup>
Section modulus (Sx)	0.0342 in <sup>3</sup>
Allowable bending moment (Ma)	56.37 ft-lb
Allowable shear force	604.4 lb

**Ordering Information:**

Stock Length: 10'-0" & 12'-0" long pieces  
Packaging: (10) pieces per bundle – (440) pieces per pallet  
Packaging weight: 32 lbs./bundle or 321 lbs./1000 ft.

**ASTM & Code Standards:**

- AISI North American Specification [NASPEC] 2001 Supplement
- Furring channel is produced to meet or exceed ASTM C645 and C955
- Galvanized sheet steel meets or exceeds requirements of ASTM A924 & A1003
- For installation & storage information refer to ASTM C1007 & C754
- MSDS & Product Certification Information available at [www.clarkdietrich.com](http://www.clarkdietrich.com)

**Furring / Hat Channel Allowable Ceiling Spans (Deflection: L/360):**

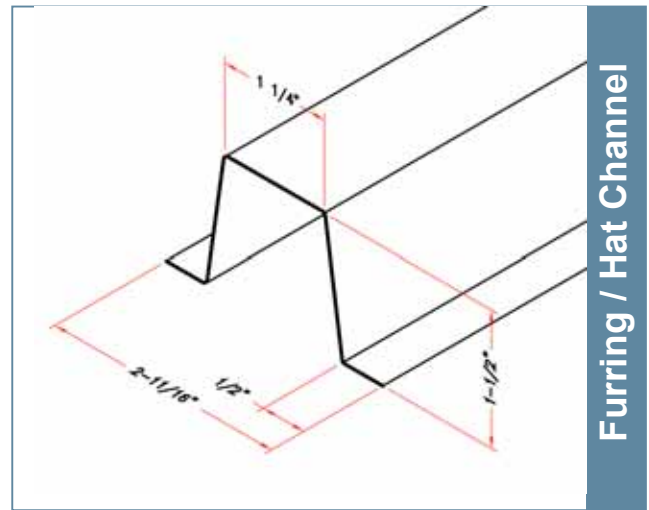
Spans	Applied Load								
	4 psf			6 psf			13 psf		
	Hat Spacing (in) o.c.			Hat Spacing (in) o.c.			Hat Spacing (in) o.c.		
	12	16	24	12	16	24	12	16	24
Single	6'-10"	6'-3"	5'-5"	6'-0"	5'-5"	4'-9"	4'-7"	4'-2"	3'-8"
Multiple	8'-6"	7'-8"	6'-9"	7'-5"	6'-9"	5'-10"	5'-8"	5'-1"	3'-11"

**GREEN Benefits and Recycled Content:**

**LEED Credit MR 2** - ClarkDietrich products are manufactured from cold-formed steel. Steel is 100% recyclable, which helps divert debris from the waste stream. The contribution to LEED must be calculated by the contractor based on weight or volume.

**LEED Credit MR 4** - ClarkDietrich's steel products have a minimum recycled content of 34.9%, of which 24.3% is post-consumer, and 9.4% is pre-consumer. To report a higher number for your project or seek Credit MR 5, contact Technical Services at 888-437-3244 or visit [www.clarkdietrich.com](http://www.clarkdietrich.com).

**09.22.16 (Non-Structural Metal Framing)**



Furring / Hat Channel

**Used in framing applications:**

- Furring for wall & ceilings
- Framing for drop down ceilings
- Furring for metal lath systems

Project Information	Contractor Information	Architect Information
Name: cavobuilderssupplies.com	Name:	Name:
Address:	Contact:	Contact:
	Phone:	Phone:
	Fax:	Fax: