

Product category: 7/8" Furring / Hat Channel
Product name: **087F125-30 (33ksi, G40)**
30mils (20gauge DW) Finish: G40

Geometric Properties

Depth	0.875 in	Design thickness	0.0312 in
Width	1.250 in	Min. steel thickness	0.0296 in
Yield stress, Fy	33 ksi	Ultimate, Fu	45 ksi

Gross Section Properties of Full Section, Strong Axis

Cross sectional area (A)	0.115 in ²
Member weight per foot of length	0.392 lb/ft
Moment of inertia (Ix)	0.014 in ⁴
Radius of gyration (Rx)	0.352 in
Gross moment of inertia (Iy)	0.0691 in ⁴
Gross radius of gyration (Ry)	0.774 in

Effective Section Properties, Strong Axis

Moment of inertia for deflection (Ix)	0.0142 in ⁴
Section modulus (Sx)	0.0305 in ³
Allowable bending moment (Ma)	50.21 ft-lb
Allowable shear force	527.6 lb

Ordering Information:

Stock Length: 10'-0" & 12'-0" long pieces
Packaging: (10) pieces per bundle – (440) pieces per pallet
Packaging weight: 41 lbs./bundle or 408 lbs./1000 ft.

ASTM & Code Standards:

- AISI North American Specification [NASPEC] 2001 Supplement
- Furring channel is produced to meet or exceed ASTM C645 and C955
- Galvanized sheet steel meets or exceeds requirements of ASTM A924 & A1003
- For installation & storage information refer to ASTM C1007 & C754
- MSDS & Product Certification Information available at www.clarkdietrich.com

Furring / Hat Channel Allowable Ceiling Spans (Deflection: L/360):

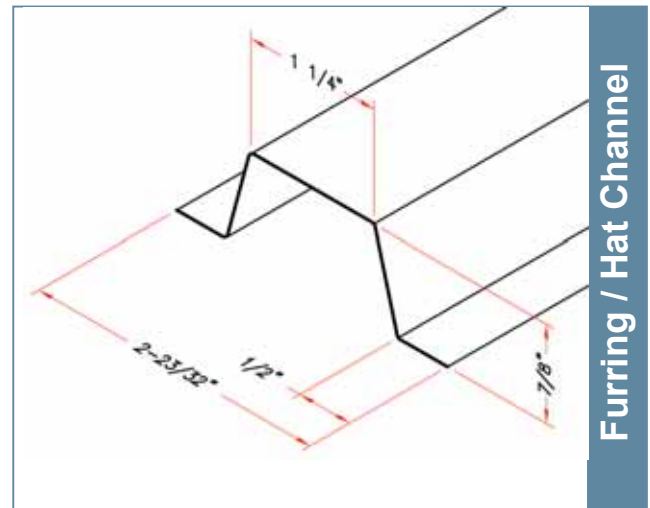
Spans	Applied Load								
	4 psf			6 psf			13 psf		
	Hat Spacing (in) o.c.			Hat Spacing (in) o.c.			Hat Spacing (in) o.c.		
	12	16	24	12	16	24	12	16	24
Single	5'-4"	4'-10"	4'-3"	4'-8"	4'-3"	3'-8"	3'-7"	3'-3"	2'-10"
Multiple	6'-8"	6'-0"	5'-3"	5'-9"	5'-3"	4'-7"	4'-6"	4'-1"	3'-6"

GREEN Benefits and Recycled Content:

LEED Credit MR 2 - ClarkDietrich products are manufactured from cold-formed steel. Steel is 100% recyclable, which helps divert debris from the waste stream. The contribution to LEED must be calculated by the contractor based on weight or volume.

LEED Credit MR 4 - ClarkDietrich's steel products have a minimum recycled content of 34.9%, of which 24.3% is post-consumer, and 9.4% is pre-consumer. To report a higher number for your project or seek Credit MR 5, contact Technical Services at 888-437-3244 or visit www.clarkdietrich.com.

09.22.16 (Non-Structural Metal Framing)



Furring / Hat Channel

Used in framing applications:

- Furring for wall & ceilings
- Framing for drop down ceilings
- Furring for metal lath systems

Project Information	Contractor Information	Architect Information
Name:	Name:	Name:
Address:	Contact:	Contact:
	Phone:	Phone:
	Fax:	Fax: