

## U-Channel / CRC

**Product category:** 1-1/2" U-Channel / CRC – 16ga  
**Product name:** 150U50-54 (33ksi) - Unpunched  
54mils (16gauge) Finish: G40, CP60 or G90  
Color Coding: Green

### Geometric Properties

Web depth	1.500 in		
Leg width	0.500 in		
Design thickness	0.0566 in	Min. steel thickness	0.0538 in
Yield stress, Fy	33 ksi	*Fy with Cold-Work, Fya	39.4 ksi
Ultimate, Fu	45 ksi		

### Gross Section Properties of Full Section, Strong Axis

Cross sectional area (A)	0.130 in <sup>2</sup>
Member weight per foot of length	0.441 lb/ft
Moment of inertia (Ix)	0.039 in <sup>4</sup>
Radius of gyration (Rx)	0.549 in
Gross moment of inertia (Iy)	0.003 in <sup>4</sup>
Gross radius of gyration (Ry)	0.146 in

### Effective Section Properties, Strong Axis

Moment of inertia for deflection (Ix)	0.039 in <sup>4</sup>
Section modulus (Sx)	0.052 in <sup>3</sup>
Allowable bending moment (Ma)	1.230 in-k
Allowable shear force (Va)	840 lb

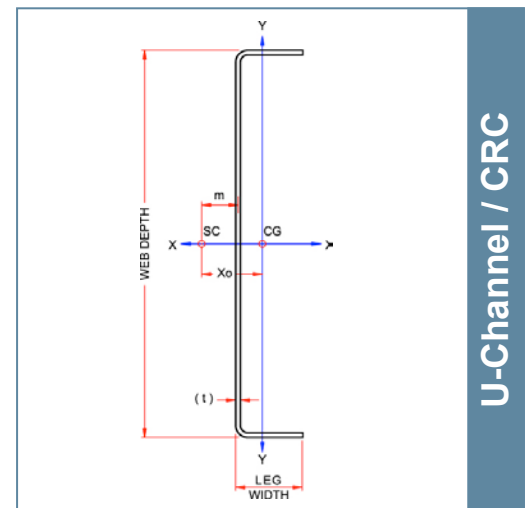
### Ordering Information:

Length: 16'-0" long pieces (Also available in 10' and 20' lengths)  
Packaging: (10) pieces per bundle – (240) pieces per pallet  
Packaging weight: 77 lbs./bundle

### ASTM & Code Standards:

- AISI North American Specification [NASPEC] S-100-2007 with 2010 Supplement
- \*Effective properties incorporate the strength increase from the cold work of forming
- Structural framing is produced to meet or exceed ASTM C955, A653 and A1003
- Galvanized sheet steel meets or exceeds requirements of ASTM A924
- For installation & storage information refer to ASTM C1007 & C754
- MSDS & Product Certification Information available at [www.clarkdietrich.com](http://www.clarkdietrich.com)

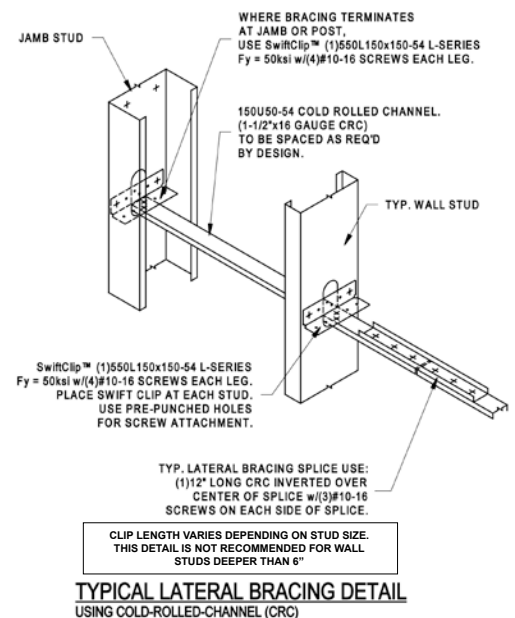
### 05.40.00 (Cold-Formed Metal Framing)



U-Channel / CRC

### Used in framing applications

- Lateral bracing in walls
- Drop down ceilings
- Furring for metal lath systems



### GREEN Benefits and Recycled Content:

**LEED Credit MR 2** - ClarkDietrich products are manufactured from cold-formed steel. Steel is 100% recyclable, which helps divert debris from the waste stream. The contribution to LEED must be calculated by the contractor based on weight or volume.

**LEED Credit MR 4** - ClarkDietrich's steel products have a minimum recycled content of 34.9%, of which 24.3% is post-consumer, and 9.4% is pre-consumer. To report a higher number for your project or seek Credit MR 5, contact Technical Services at 888-437-3244 or visit [www.clarkdietrich.com](http://www.clarkdietrich.com).

CD-150U50-54 © 01/13 ClarkDietrich Building Systems

#### Project Information

Name: cavobuilderssupplies.com  
Address:

#### Contractor Information

Name:  
Contact:  
Phone:  
Fax:

#### Architect Information

Name:  
Contact:  
Phone:  
Fax: